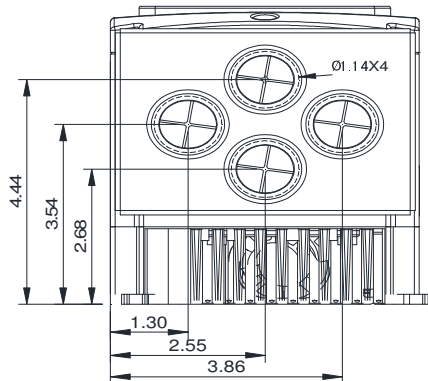
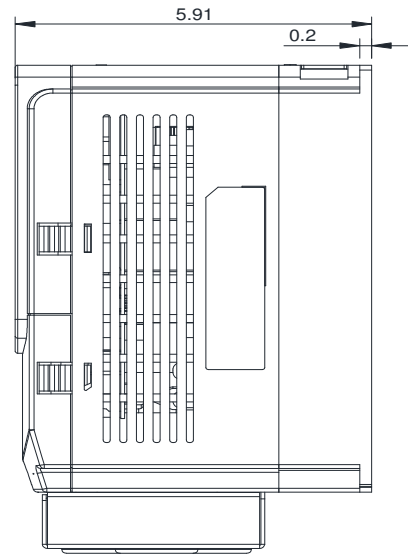
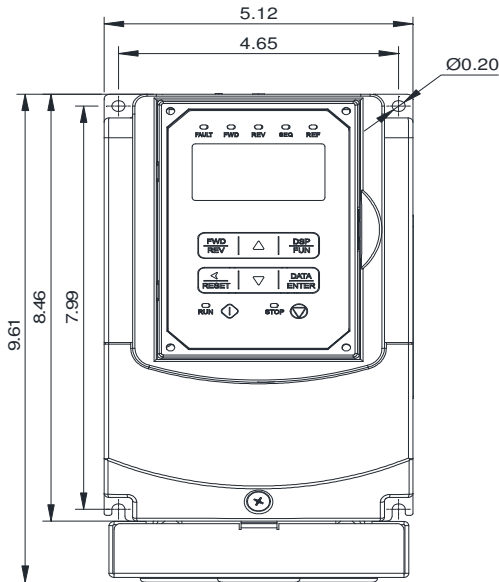


## GENERAL DATASHEET VARIABLE SPEED DRIVE

|                  |             |                           |                     |                 |
|------------------|-------------|---------------------------|---------------------|-----------------|
| SERIES           |             | MODEL#                    |                     |                 |
| <b>F510</b>      |             | <b>F510-4003-C3-UE</b>    |                     |                 |
| ISSUED           |             | ENCLOSURE/ FRAME          |                     |                 |
| <b>2/10/2020</b> |             | <b>NEMA 1 (IP20) / F1</b> |                     |                 |
| INPUT AMPS       |             | AC INPUT VOLTAGE          | AC INPUT FREQUENCY  | AC INPUT PHASE  |
| ND (VT)          |             |                           |                     |                 |
| <b>5.9</b>       |             | <b>380-480</b>            | <b>50/60</b>        | <b>3</b>        |
| OUTPUT HP        | OUTPUT AMPS | AC OUTPUT VOLTAGE         | AC OUTPUT FREQUENCY | AC OUTPUT PHASE |
| ND (VT)          | ND (VT)     |                           |                     |                 |
| <b>2</b>         | <b>5.4</b>  | <b>0-480</b>              | <b>0-400</b>        | <b>3</b>        |



|              |             |             |                 |             |
|--------------|-------------|-------------|-----------------|-------------|
| Approved By: | Brian Smith | Drawing No: | F510-460-003-F1 | Revision: 1 |
|--------------|-------------|-------------|-----------------|-------------|